

## Features

## ICE Technology\*

- Tx Temperature Range without Derating
- 120°C Maximum Case Temperature
- -45°C Minimum Temp.
- EN 50155 Compliant
- EN 50121-3-2 Compliant
- CE Marked
- 24, 48 and 110VDC Input Ranges
- Six Sided Shielded Enclosure
- Flat, Ribbed or Baseplate Case Styles
- Efficiency to >89%
- Isolated and Fully Protected Outputs
- Low Quiescent Current

### Description

The RPR50 series DC/DC converters are designed for railway rolling stock applications. Besides covering all the input voltages from 24VDC up to 110VDC, the converters have a very wide operating temperature range of -45°C to +85°C. Although the case size is very compact, the converter contains a built-in Class A EMI filter, so few external components are required. The RPR50 is available in three case styles: a low profile flat top case, a ribbed case with a built-in heatsink and the baseplate case for high vibration or bulkhead-mounting applications. They are EN 50155 and EN 50121-3-2 compliant.

### Selection Guide 24V, 48V and 110V Input Types

Part Number	Nominal Input VDC	Nom. Input Range VDC	Lockout Voltage VDC	Output Voltage VDC	Output Current mA
RPR50-243.3S**	24	12-36V	8.5V	3.3	15000
RPR50-2405S**	24	12-36V	8.5V	5	10000
RPR50-2412S**	24	12-36V	8.5V	12	4100
RPR50-2415S**	24	12-36V	8.5V	15	3300
RPR50-2424S**	24	12-36V	8.5V	24	2100
RPR50-483.3S**	48	25-75	17.5	3.3	15000
RPR50-4805S**	48	25-75	17.5	5	10000
RPR50-4812S**	48	25-75	17.5	12	4100
RPR50-4815S**	48	25-75	17.5	15	3300
RPR50-4824S**	48	25-75	17.5	24	2100
RPR50-1103.3S**	110	40-160	36	3.3	15000
RPR50-11005S**	110	40-160	36	5	10000
RPR50-11012S**	110	40-160	36	12	4100
RPR50-11015S**	110	40-160	36	15	3300
RPR50-11024S**	110	40-160	36	24	2100
RPR50-2412D**	24	12-36V	8.5V	±12	±2100
RPR50-2415D**	24	12-36V	8.5V	±15	±1650
RPR50-2424D**	24	12-36V	8.5V	±24	±1050
RPR50-4812D**	48	25-75	17.5	±12	±2100
RPR50-4815D**	48	25-75	17.5	±15	±1650
RPR50-4824D**	48	25-75	17.5	±24	±1050
RPR50-11012D**	110	40-160	36	±12	±2100
RPR50-11015D**	110	40-160	36	±15	±1650
RPR50-11024D**	110	40-160	36	±24	±1050

\*\* add suffix "-F" for low profile Flat case or "-B" for Baseplate case and no suffix is the Ribbed case.  
add "1" before suffix for neg. CTRL logic e.g. -1, -1B, -1F, etc.

**POWERLINE+**  
Railway-Converter  
with 3 year Warranty

**RECOM**

**50 Watt  
Single &  
Dual Output**



**EN-50155 (Pending)  
EN-60950 Certified**

**RPR50**

### \* ICE Technology

**ICE (Innovation in Converter Excellence) uses state-of-the-art techniques to minimise internal power dissipation and to increase the internal temperature limits to extend the ambient operating temperature range to the maximum.**

Refer to Application Notes

**Railway Input Voltage Requirements**

Nominal Input Voltage	EN50155			NF F 01-510			RPR50		
	Input Range	Min. Input (0.1s)	Max Input (1s)	Input Range	Min. Input (0.1s)	Max Input (1s)	Input Range	Min. Input (0.1s)	Max Input (1s)
24V	16.8~30V	14.4V	33.6V	18~34V	12V	40V	12~36V	9V	40V
48V	33.6~60V	28.8V	67.2V				25~75V	18V	80V
72V	50.4~90V	43.2V	100.8V	50~90V	36V	115V	40~160V	36V	176V
96V	67.2~120V	57.6V	134.4V				40~160V	36V	176V
110V	77~137.5V	66V	154V	77~137V	55V	176V	40~160V	36V	176V

**Specifications** (typical at nominal input and 25°C unless otherwise noted)

Input Voltage Range (continuous)	complies with EN50155 and NFF 01-510 (Un=24V) complies with EN50155 and NFF 01-510 (Un=48V) complies with EN50155 and NFF 01-510 (Un=72V, 96V & 110V)	12-36VDC 25-75VDC 40-160VDC
Low Transient operating voltage (100ms)	complies with EN50155 and NFF 01-510	Un x 0.5
High Transient operating voltage (1 second)	complies with EN50155 and NFF 01-510	Un x 1.6
Allowed Input Ripple	complies with EN50155	15%
Input Reflected Ripple	nominal Vin and full load	20mA <sub>p-p</sub>
Supply Interruption	complies with EN50155, Class S1	(complies with S2 using circuit below)
Supply Changeover	complies with EN50155, Class C1	(complies with C2 using circuit below)
Start Up Time	nominal Vin and constant resistive load	2ms typ., 5ms max.
Remote ON/OFF <sup>(1)</sup>	Logic High Logic Low	Open or 3.0V < Vr < 5.5V Short or 0V < Vr < 1.2V
Remote OFF input current	Nominal input	2mA typ.
Output Voltage Accuracy	50% Load and nominal Vin	±1.5%
Voltage Adjustability	Single Output only	±10%
Minimum Load		0%
Line Regulation	low line, high line at full load	±0.3%
Load Regulation	10% to 100% full load	±0.5%
Cross Regulation (10% <> 100% Load)	Dual Outputs only	3% typ. / 5% max.
Ripple and Noise (20MHz bandwidth limited)	(measured with 1µF capacitor across outputs)	1% Vout typ. / 3% max.
Temperature Coefficient		±0.04%/°C max.
Transient Response	25% load step change	800µs
Over Load Protection	% of full load at nominal Vin	120% typ.
Short Circuit Protection		Current limit, automatic recovery
Output Over Voltage Protection	Single Output Dual Output	Converter shutdown if Vout > Vout nominal + 20% Converter shutdown if Vout > Vout nominal + 10%
Isolation Voltage	According to EN50155 12.2.9.2	Tested at 1600VDC/1 minute
Isolation Resistance	According to EN50155 12.2.9.1	10MΩ min.
Isolation Capacitance		1500pF max.
Operating Frequency		260kHz ± 40kHz
Operating Temperature Range (Tx) (Ambient Air, Free Convection)	complies with EN50155: 4.1.2 and EN50125-1 with derating	-45°C to +85°C -45°C to +100°C
Maximum Case Temperature		+120°C
Over Temperature Protection		internal thermistor
Storage Temperature Range		-55°C to +125°C
Relative Humidity		5% to 95% RH

continued on next page

# POWERLINE+

## DC/DC-Converter

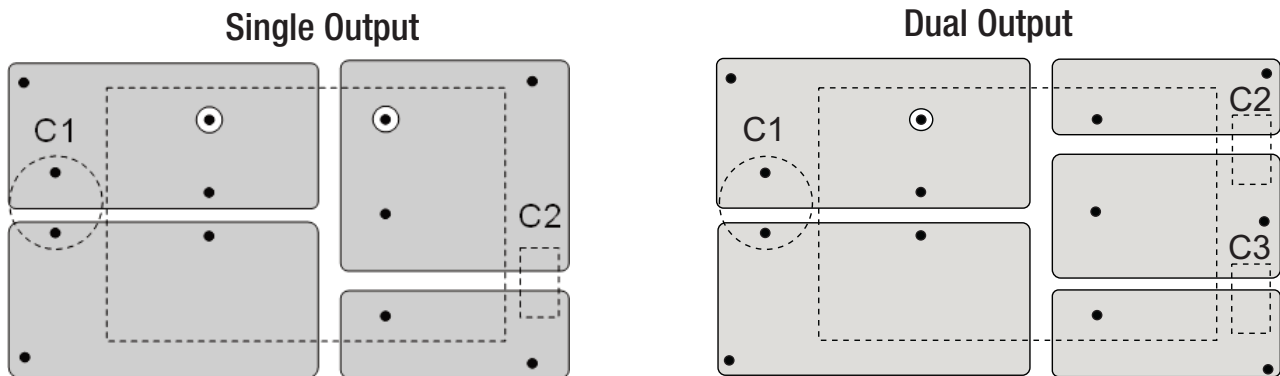
# RPR50-S\_D Series

### Specifications (typical at nominal input and 25°C unless otherwise noted)

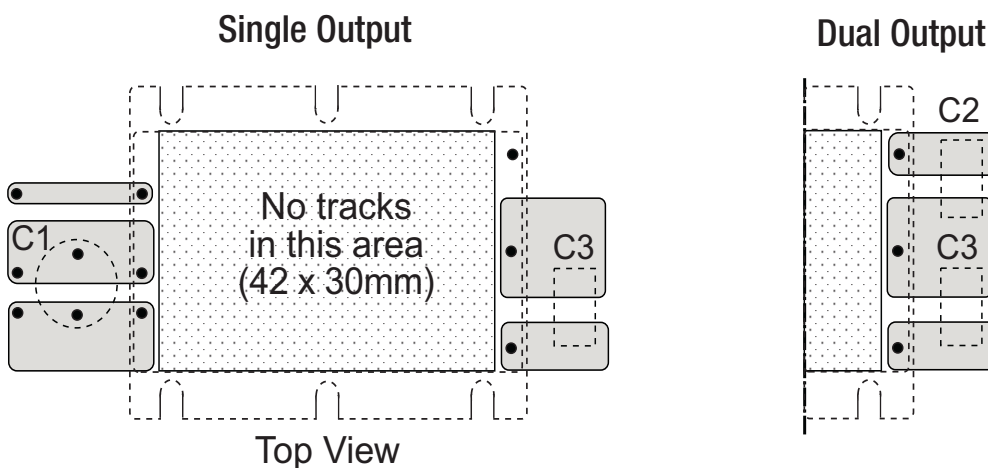
Case Material <sup>(2)</sup>	Aluminium	
Potting Material	Silicone (UL94-V0)	
Weight	Flat Case	34g
	Ribbed Case	39g
	Baseplate Case	43g
Packing Quantity	Flat, Ribbed Case	4 pcs per Tube
	Baseplate Case	Single packed
Safety Standards	CE Marked	certified to EN-60950-1, 1st Edition
Thermal Performance	Cold	-45°C / 2 Hours
	Dry Heat	+85°C / 6 Hours
	Damp Heat, Cyclic	+25°C/+55°C, 85%RH / 2 x 24 Hours
conforms to EN50155: 12.2.3/4/5		
Vibration (complies with EN61373)	5-150Hz, 10G, All three axes, 15 hours	
Input Filter	Built-in Pi Filter	
Conducted Emissions	EN50121-3-2	Class A
Radiated Emissions	EN50121-3-2	Class A
ESD	EN50121-3-2	Perf. Criteria B
Radiated Immunity	EN50121-3-2	Perf. Criteria A
Fast Transient	EN50121-3-2	Perf. Criteria A
Surge	EN50121-3-2	Perf. Criteria B
Conducted Immunity	EN50121-3-2	Perf. Criteria A
MTBF calculated according to BELLCORE TR-NWT-000332 Case I: 50% Stress, Temperature at 50°C (Ground Benign)		2195 x 10 <sup>3</sup> hours

### Recommended PCB Layout

#### Ribbed and Flat Case



#### Baseplate Case- suggested PCB layout



Input Fuse is recommended, but optional. Recommended fuse rating = double maximum input current, time delay type.

Input Capacitor, C1, is required to meet surge specifications. Output Capacitors C2/C3 are recommended, but not required for normal operation. Typical capacitor values are 1µF/100V MLCC

To ensure optimum thermal performance, use large areas of copper on the PCB to assist with heat dissipation and mount the converter vertically.

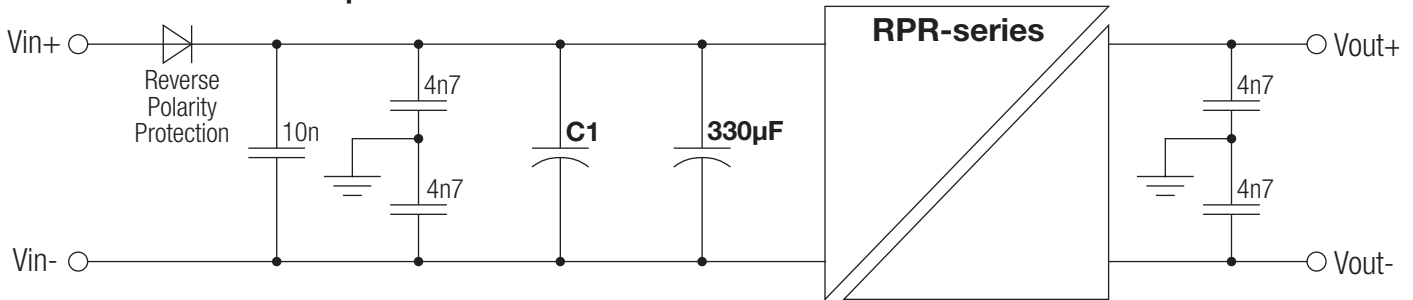
RPR50

## POWERLINE+

### DC/DC-Converter

#### Typical Application Circuit

#### EN50155 / NF F 01-510 Input Filter



#### EN50155 Class S2 Compliance

To meet the requirements of EN50155 Class S2 (disconnection of supply for 10ms), capacitor C1 may be required. The value of C1 can be calculated from the following formula:

$$C1 + 330\mu\text{F} = (2 \times W \times t) / (\text{Eff.} \times (U_n^2 - U_{\text{min}}^2))$$

where W = output power, t = disconnect time, Eff = Converter efficiency,  $U_n$  = nominal input voltage and  $U_{\text{min}}$  = the UVL voltage of the converter  
e.g., for the RPR30-2405S:  $C1 = (2 \times 50 \times 0.01) / (0.88 \times (24^2 - 8.5^2)) = 2255\mu\text{F} - 330\mu\text{F} = 1925\mu\text{F}$  minimum.

Any overcurrent protective devices fitted must not react faster than 0.01s and be capable of supplying the initial inrush current without tripping.

#### Suggested component values:

Suggested component values:	Inrush Current (after 100ms)
$U_n = 24\text{V}$ : $C1 = 2255\mu\text{F} - 330\mu\text{F} = 1000\mu\text{F}/50\text{V} + 1000\mu\text{F}/50$	<0.4A
$U_n = 48\text{V}$ : $C1 = 568\mu\text{F} - 330\mu\text{F} = 330\mu\text{F}/100\text{V}$	<0.1A
$U_n = 72\text{V}$ : C1 not required	<0.1A
$U_n = 96\text{V}$ : C1 not required	<0.1A
$U_n = 110\text{V}$ : C1 not required	<0.1A

#### EN50155 Class C2 Compliance

To meet the requirements of EN50155 Class C2 (disconnection of supply for 30ms), capacitor C1 may need to be increased:

#### Suggested component values:

Suggested component values:	Inrush Current (after 10ms)
$U_n = 24\text{V}$ : $C1 = 6767\mu\text{F} - 330\mu\text{F} = 3300\mu\text{F}/50\text{V} + 3300\mu\text{F}/50\text{V}$	<5.7A
$U_n = 48\text{V}$ : $C1 = 1706\mu\text{F} - 330\mu\text{F} = 1500\mu\text{F}/100\text{V}$	<0.2A
$U_n = 72\text{V}$ : $C1 = 698\mu\text{F} - 330\mu\text{F} = 470\mu\text{F}/200\text{V}$	<0.1A
$U_n = 96\text{V}$ : $C1 = 430\mu\text{F} - 330\mu\text{F} = 100\mu\text{F}/200\text{V}$	<0.1A
$U_n = 110\text{V}$ : C1 not required	<0.1A

#### Notes :

- The ON/OFF pin voltage is referenced to negative input. The pin is pulled high internally.  
ON/OFF control is standard with positive logic: e.g. RPR50-2405S, RPR50-4805D-B.  
Add "1" before the suffix for negative logic: e.g. RPR50-2405S-1, RPR50-11005D-1B.  
Positive logic: 0 = OFF, 1 = ON. The converter will be ON if the CTRL is left open.  
Negative logic: 1 = OFF, 0 = ON. The converter will be OFF if the CTRL is left open..
- To ensure a good all-round electrical contact, the baseplate is pressed firmly into place within the aluminium housing. The hydraulic press can leave tooling marks and deformations to both the housing and baseplate. The case is anodised aluminium, so there will be natural variations in the case colour and the aluminium is not scratch resistant. Any resultant marks, scratches and colour variations are cosmetic only and do not affect the operation or performance of the converters.
- The converter is supplied with a protective adhesive tape to keep the top surface clean. The tape is heat resistant and the converter can be soldered into place without removing the tape. The tape should be removed just before final installation.

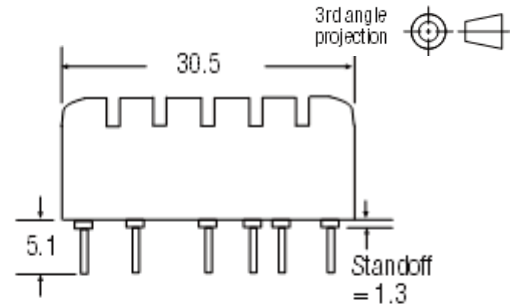
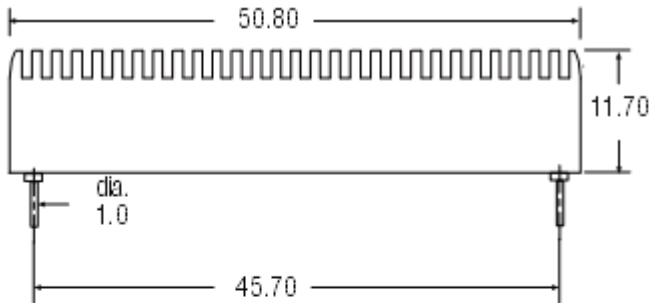
# POWERLINE+

DC/DC-Converter

Package Style and Pinning (mm)

# RPR50-S\_D Series

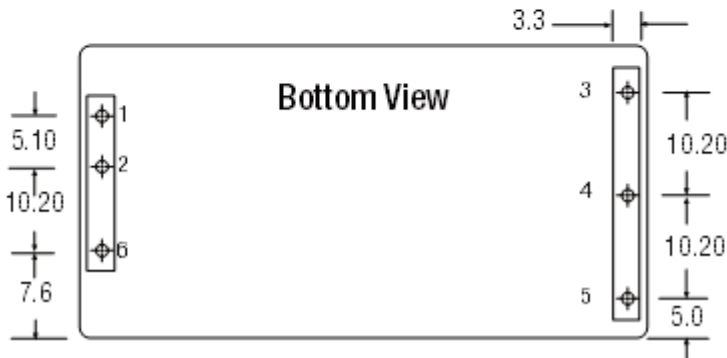
## Standard Case (No suffix)



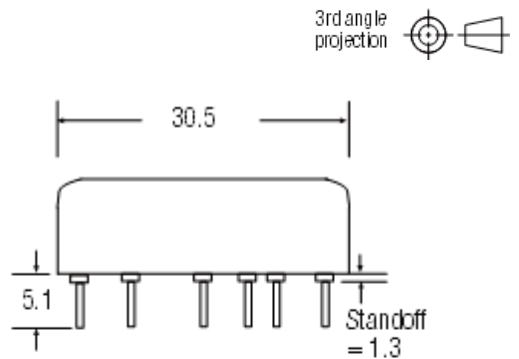
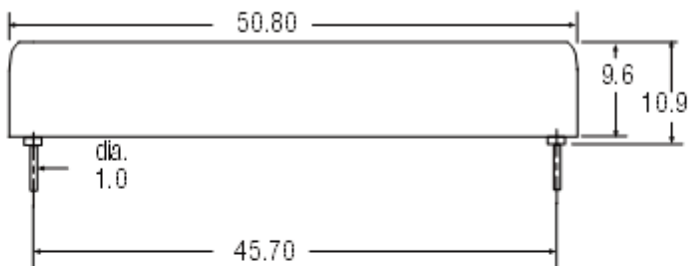
### Pin Connections

Pin #	Single	Dual
1	+Vin	+Vin
2	-Vin	-Vin
3	+Vout	+Vout
4	-Vout	Com
5	Trim	-Vout
6	CTRL	CTRL

Pin Pitch Tolerance  $\pm 0.35$  mm



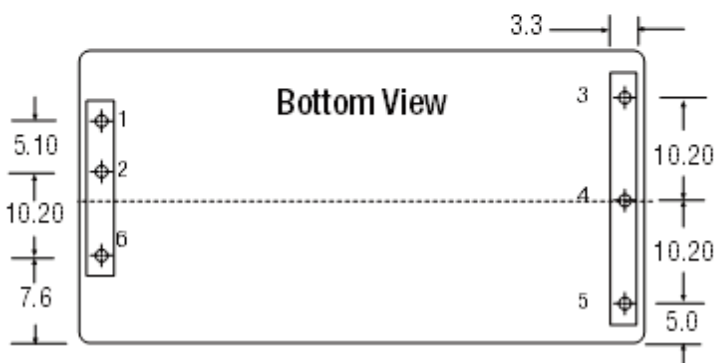
## Flat Case (-F suffix)



### Pin Connections

Pin #	Single	Dual
1	+Vin	+Vin
2	-Vin	-Vin
3	+Vout	+Vout
4	-Vout	Com
5	Trim	-Vout
6	CTRL	CTRL

Pin Pitch Tolerance  $\pm 0.35$  mm



# POWERLINE+

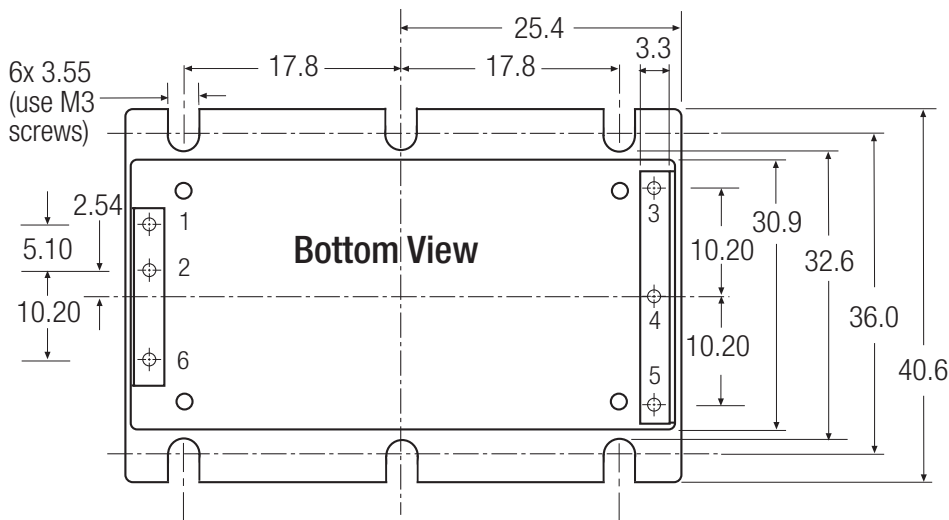
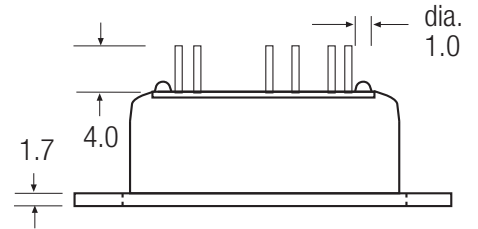
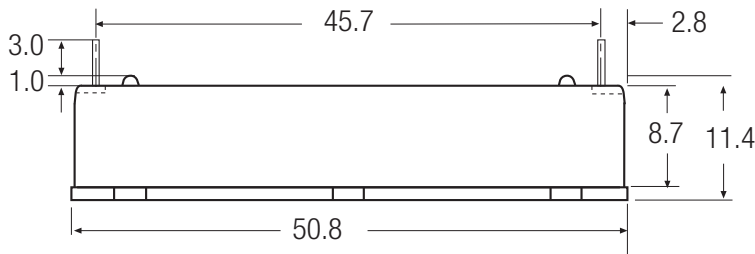
DC/DC-Converter

Package Style and Pinning (mm)

# RPR50-S\_D Series

## Baseplate Case (-B Suffix)

3rd angle projection



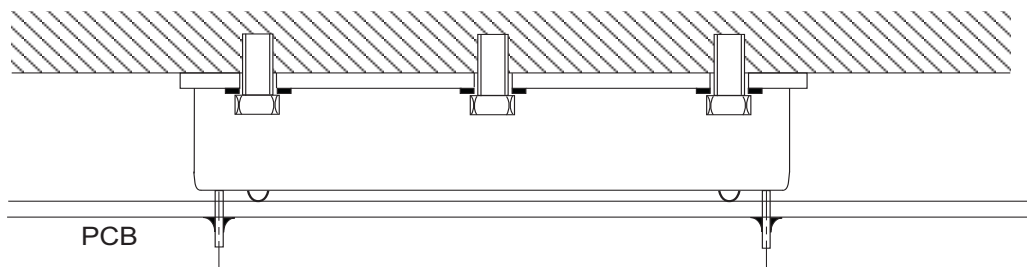
### Pin Connections

Pin #	Single	Dual
1	+Vin	+Vin
2	-Vin	-Vin
3	+Vout	+Vout
4	-Vout	Com
5	Trim	-Vout
6	CTRL	CTRL

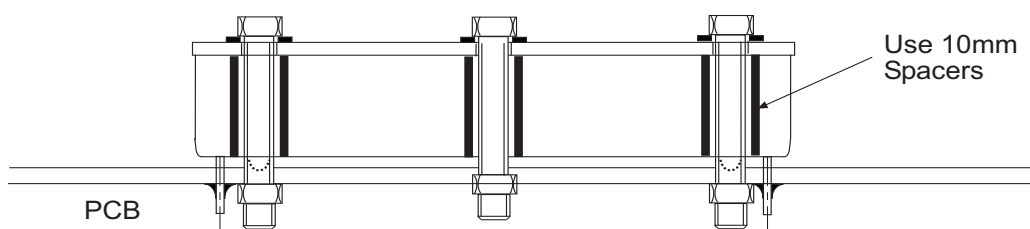
Pin Pitch Tolerance  $\pm 0.35$  mm

RPR50

## Baseplate Case Fixing - Mounting onto Heatsink/Bulkhead



## Baseplate Case Fixing - Anti Vibration Mounting onto PCB



#### I.C.E Technology

ICE (Innovation in Converter Excellence) Technology uses a combination of techniques to minimise internal heat dissipation and maximise the heat transfer to ambient to create a new converter series which offers high end performance at a price which is significantly lower than conventional specialist converters.

The exact details of this technology must remain secret, but the following brief resume describes the main features of this technological breakthrough:

#### Minimising internal heat dissipation

The difference between the input power and the output power is the internal power dissipation which generates heat within the converter.

If the converter is inefficient at converting power, then adding external heat sinks, base-plates or fans are remedies that cure the symptoms rather than address the illness.

First and foremost, the converter must have the highest possible efficiency over the entire input voltage range and load conditions. Most power converters are designed to be most efficient at 25°C, full load and nominal input voltage and thus offer a compromise performance when lightly loaded or operated at the maximum ambient temperature.

ICE Technology uses state-of-the-art techniques to improve power conversion efficiency by approximately 2% compared to standard converters. A two per cent improvement may not sound much, but the difference between a converter with 88% efficiency and one with 90% efficiency is a 17% reduction in the dissipated power. In addition, when lightly loaded, the converters enter a power saving mode and draw only a few milliamps from the supply.

#### Maximising heat transfer

The rate of heat transfer between a hot body and its cooler surroundings is given by Fourier's Law:

$$q = -k \cdot \Delta T$$

where

q = rate of heat transfer

k = thermal conductivity

and  $\Delta T$  = temperature difference

If k can be made larger, then the rate of heat transfer can still match or exceed the rate of heat generation at lower temperature differences  $\Delta T$  and the converter will have an extended operating temperature range.

#### Techniques to improve thermal conductivity

ICE Technology splits the thermal conductivity problem into two areas and attacks each area separately using different techniques.

Firstly, the internal heat transfer to the case is maximised by a combination of novel converter construction and clever thermal design.

ICE converters use a construction where the hottest components (the switching FET, the transformer and the synchronous rectification FETs) are placed closest to the case wall. This method of construction makes the manufacture of the converter more difficult, but this lack of compromise reduces greatly the internal thermal impedance.

Secondly, the rate of transfer of heat to the surroundings is improved by a novel case construction which incorporates a built-in heat sink. The case is also made from thick aircraft grade aluminium rather than thin nickel-plated copper to provide a better thermal junction between the case and the high thermal conductivity silicone potting material used inside the converter.

#### Maximising high temperature performance

The final technique used in the construction of ICE Technology converters is to use high temperature internal components. The maximum operating temperature of a converter is dependent on the lowest maximum permissible operating temperature of any the components used. If the capacitors are rated up to +85°C and the FETs are rated at +160°C, then the limiting factor is the capacitor temperature of +85°C.

The temperature of the ferrite core used in the transformer is also an important limiting factor. If the transformer core temperature exceeds the Curie temperature of the ferrite, then the transformer rapidly loses performance.

ICE Technology converter uses high temperature grade components to permit a case temperature of +115°C maximum. This allows operation at up to +85°C ambient without the need for fans to blow air over the converter.



#### Electromagnetic Compatibility

Although high temperature performance is a significant feature of ICE Technology design, it does not end there.

ICE Technology also addresses the need for electromagnetic compatibility by incorporating a built-in EN55022 Class B grade filter inside the converter. The converter has been designed from the ground up to meet EMC requirements rather than a conventional design process where first the converter is optimised for performance and then an external filter is added to combat the conducted interference.

By including the filter on the main PCB of the converter, the track path lengths and impedances between the filter and the noise-generating components are reduced to the minimum and consequently smaller value filter components can be used that fit into the compact case dimensions of the Powerline+ converters without compromising on filter performance.

#### Safety and Protection

ICE Technology converters are fully protected from output short circuits, overload, output over-voltage and over-temperature. In addition, they feature under-voltage lockout that will automatically disable the converter if the input voltage falls below the minimum level.

The output is current limited which means that temporary overloads can occur without the converter shutting down. When overloaded, the output voltage will decrease to keep the maximum power constant. For the 40W and 50W converters, if the overload is too high, the converter will go into hiccup short circuit protection mode. In this mode, the converter will attempt to reconnect power every 10-20 milliseconds.

Output overvoltage protection is monitored by a separate and independent feedback circuit and an internal thermistor sensor is used to protect the converter against overheating.

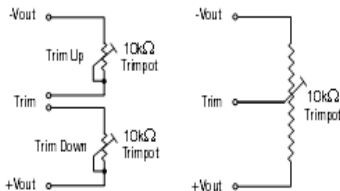
## POWERLINE+ Application Notes

### DC/DC-Converter

#### Powerline Plus Output Trim Tables



#### Output Voltage Trimming:



Single output Powerline Plus converters offer the feature of trimming the output voltage over a certain range around the nominal value by using external trim resistors. No general equation can be given for calculating the trim resistors, but the

following trimtables give typical values for choosing these trimming resistors. If voltages between the given trim points are required, extrapolate between the two nearest given values to work out the resistor required or use a variable resistor to set the output voltage.

#### RPRxx-xx3.3S (all types)

Trim up	1	2	3	4	5	6	7	8	9	10	%
Vout =	3,333	3,366	3,399	3,432	3,465	3,498	3,531	3,564	3,597	3,63	Volts
R <sub>U</sub> =	72.8	34.4	21.2	14.4	9.9	7.2	5.3	3.88	2.74	1.84	KOhms
Trim down	1	2	3	4	5	6	7	8	9	10	%
Vout =	3,267	3,234	3,201	3,168	3,135	3,102	3,069	3,036	3,003	2,97	Volts
R <sub>D</sub> =	101.3	36.2	21.0	13.65	9.2	6.0	4.12	2.56	1.34	0.87	KOhms

#### RPRxx-xx05S (all types)

Trim up	1	2	3	4	5	6	7	8	9	10	%
Vout =	5,05	5,1	5,15	5,2	5,25	5,3	5,35	5,4	5,45	5,5	Volts
R <sub>U</sub> =	109.7	51	31.2	20.3	14.2	9.87	7.1	5.0	3.38	2.08	KOhms
Trim down	1	2	3	4	5	6	7	8	9	10	%
Vout =	4,95	4,9	4,85	4,8	4,75	4,7	4,65	4,6	4,55	4,5	Volts
R <sub>D</sub> =	127.6	55.8	33.0	20.2	14.2	9.46	5.97	3.6	1.77	0.28	KOhms

#### RPRxx-xx12S (all types)

Trim up	1	2	3	4	5	6	7	8	9	10	%
Vout =	12,12	12,24	12,36	12,48	12,6	12,72	12,84	12,96	13,08	13,2	Volts
R <sub>U</sub> =	270	120	70	45.2	30.1	19.8	12.8	7.52	3.31	0	KOhms
Trim down	1	2	3	4	5	6	7	8	9	10	%
Vout =	11,88	11,76	11,64	11,52	11,4	11,28	11,16	11,04	10,92	10,8	Volts
R <sub>D</sub> =	270	120	70	45.2	30.1	19.8	12.8	7.52	3.31	0	KOhms

#### RPRxx-xx15S (all types)

Trim up	1	2	3	4	5	6	7	8	9	10	%
Vout =	15,15	15,3	15,45	15,6	15,75	15,9	16,05	16,2	16,35	16,5	Volts
R <sub>U</sub> =	337	150	87	56.2	37.5	24.7	16	9.4	4.16	0	KOhms
Trim down	1	2	3	4	5	6	7	8	9	10	%
Vout =	14,85	14,7	14,55	14,4	14,25	14,1	13,95	13,8	13,65	13,5	Volts
R <sub>D</sub> =	337	150	87	56.2	37.5	24.7	16	9.4	4.16	0	KOhms



# POWERLINE+ Application Notes

DC/DC-Converter

# Block Diagrams

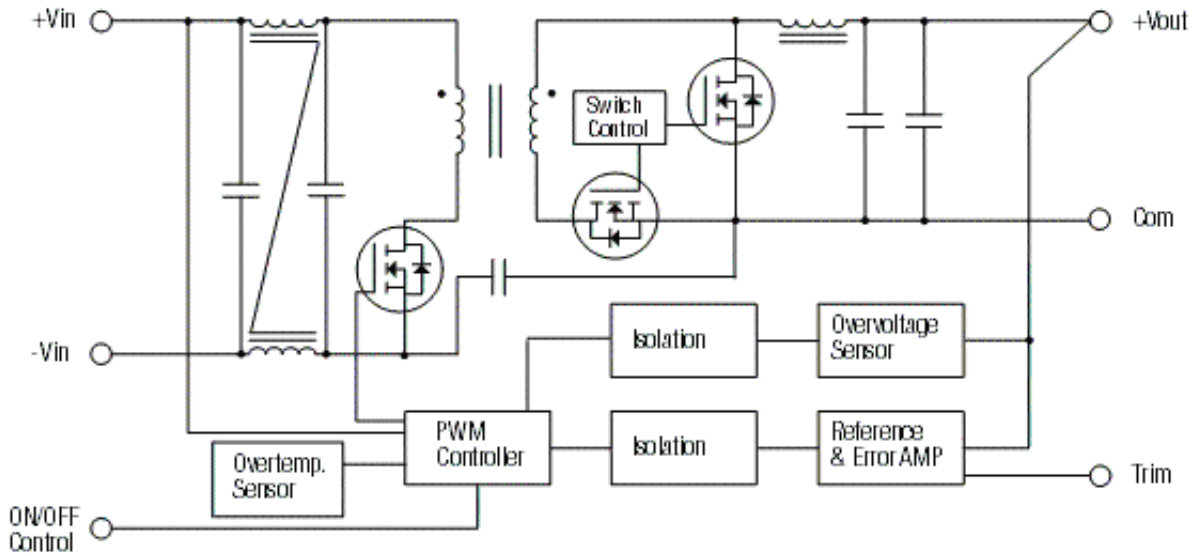
## Powerline Plus Output Trim Tables

RPRxx-xx24S (all types)

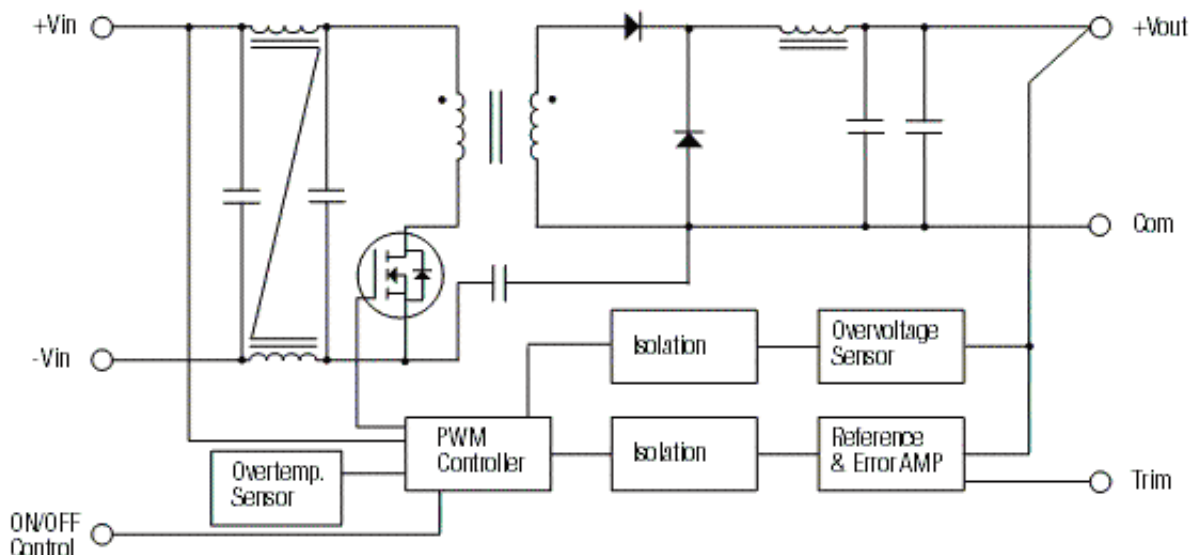
Trim up	1	2	3	4	5	6	7	8	9	10	%
V <sub>out</sub> =	24,24	24,48	24,72	24,96	25,20	25,44	24,68	25,92	26,16	26,4	Volts
R <sub>U</sub> =	270	120	70	45.2	30.1	19.8	12.8	7.52	3.31	0	KOhms
Trim down	1	2	3	4	5	6	7	8	9	10	%
V <sub>out</sub> =	23,76	23,52	23,28	23,04	22,80	22,56	22,32	22,08	21,84	21,6	Volts
R <sub>D</sub> =	270	120	70	45.2	30.1	19.8	12.8	7.52	3.31	0	KOhms

## Block Diagrams

### Single Output - 3.3V and 5V Outputs



### Single Output - all other outputs



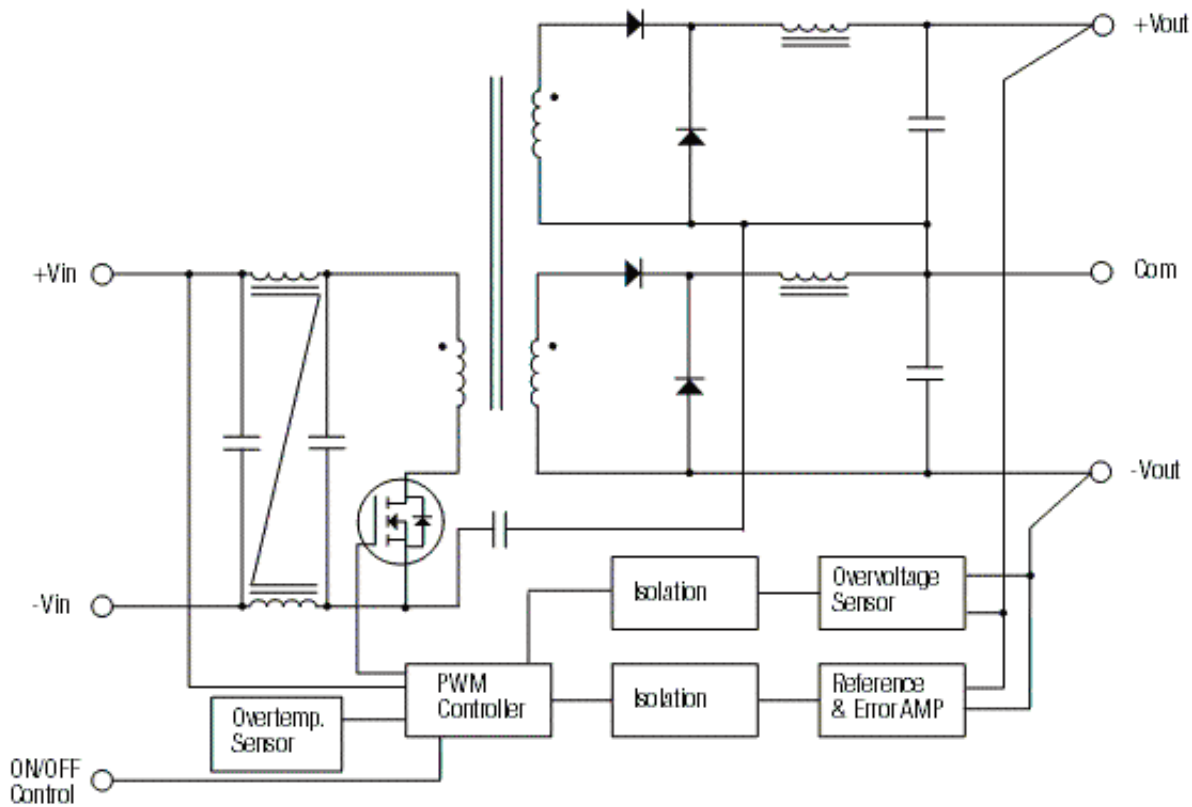
# POWERLINE+ Application Notes

DC/DC-Converter

# Block Diagrams

Block Diagrams

## Dual Output



App Notes