

Features

- Efficiency up to 95%, no Need for Heatsinks!
- Industry Standard Pin-Out
- 1.5A Start-Up Overload Capacity
- Non-Isolated Regulator with very low Standby Current
- Wide Input Range (7V ~ 42V)
- Short Circuit Protection
- Fixed Switching Frequency (350kHz), Shielded Magnetics

Selection Guide

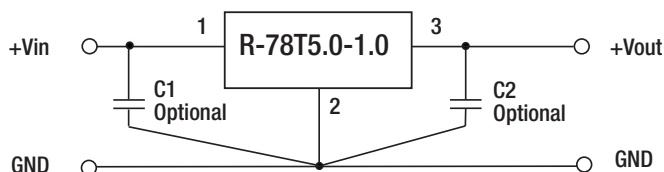
Part Number SIP3	Input Range (V)	Output Voltage (V)	Output Current (A)	Efficiency	
				Min. Vin (%)	Max. Vin (%)
R-78T3.3-1.0*	7 – 42	3.3	1.0	88	79
R-78T5.0-1.0*	8 – 42	5.0	1.0	92	85
R-78T12-1.0*	15 – 42	12	1.0	95	92

*add suffix /FC, /AC or /AL for required pinning option

Specifications (typical at 25°C, 10% minimum load, unless otherwise specified)

Input Voltage Range	3.3V	7-42VDC
	5V	8-42VDC
	12V	15-42VDC
No Load Input Current		1mA typ.
Input Filter		C Filter
Voltage Accuracy		±2% typ. / ±3% max.
Line Regulation	(LL to HL at Full Load)	±0.2% typ.
Load Regulation	(10-100%)	±0.4% typ.
Minimum Load		10%
Ripple & Noise (20MHz Limited)		50mVp-p typ. / 100mVp-p max.
Transient Response 50mA/uS	100% - 50% Load	±250mV max.
Operating Frequency		350KHz typ.
Current Limit		1.5A / 10sec max.
Short Circuit Protection		Current limited to 3.5A typ.
Operating Temperature		-40°C to 85°C
Storage Temperature		-55°C to 125°C
Humidity		5% to 95% RH max.
Dimension	suffix /AC or /AL	23 x 27.2 x 10mm
	suffix /FC	23 x 29.4 x 8mm
Weight		4.5g typ.
Cooling Method		Free Air Convection
MTBF (25°C)	MIL-HDBK-217F	367 x 10 ³ hours

Standard Application Circuit



INNOLINE
DC/DC-Converter
with 3 year Warranty

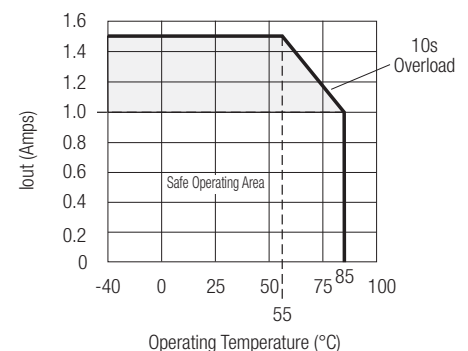
RECOM

1.0 AMP
SMD
Single Output



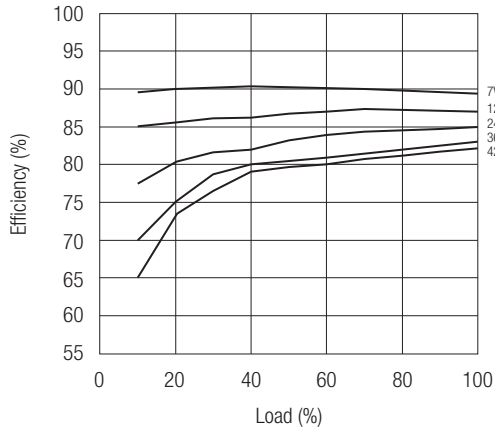
R-78T-1.0

Derating-Graph (Ambient Temperature)



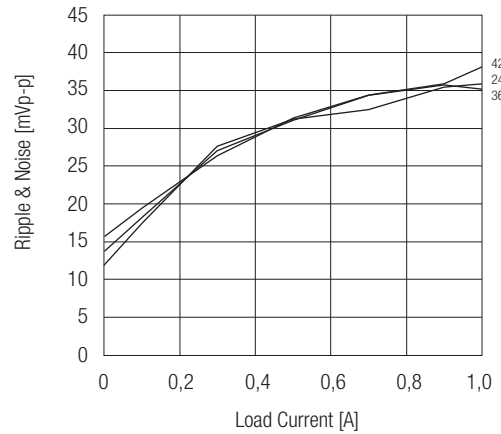
Typical Characteristics

Efficiency

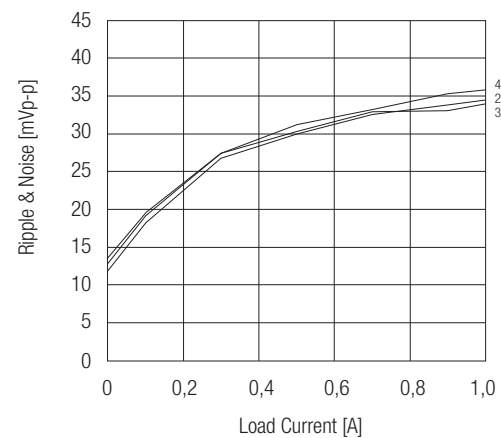
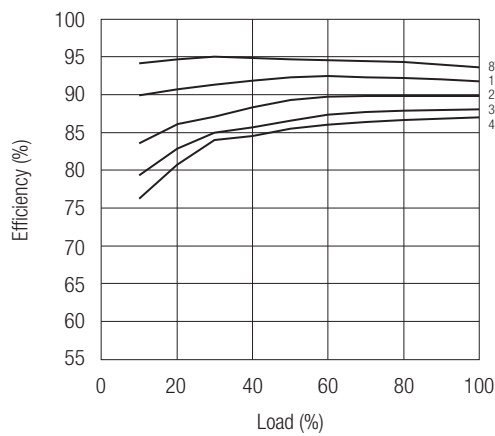


R-78T3.3-1.0

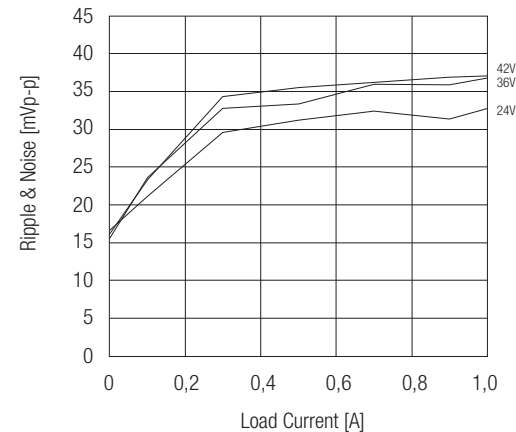
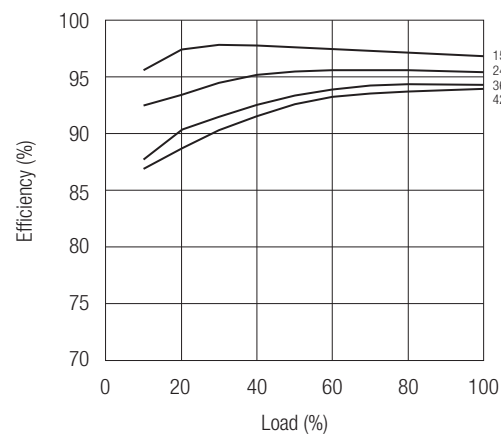
Ripple



R-78T5.0-1.0



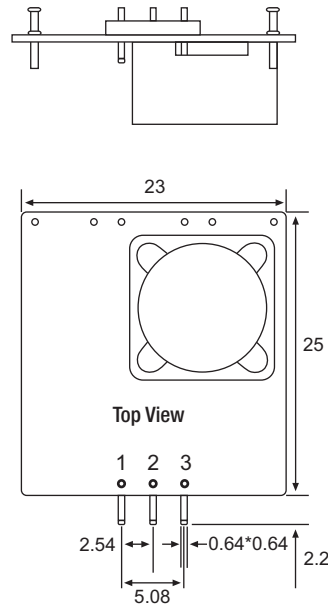
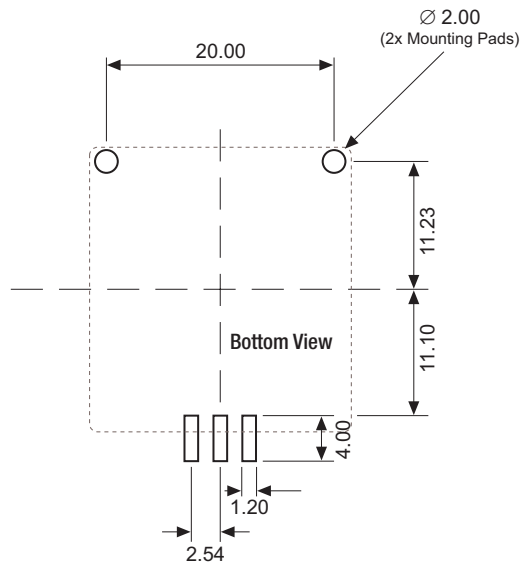
R-78T12-1.0



Package Style and Pinning (mm)

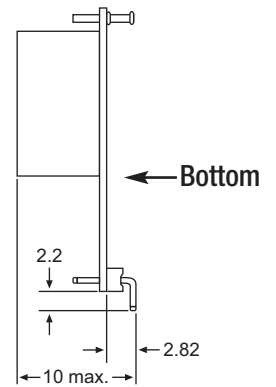
R-78Txx-1.0/AC

Recommended Footprint



Pin Connections

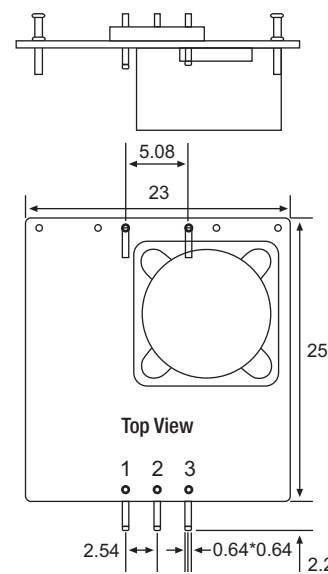
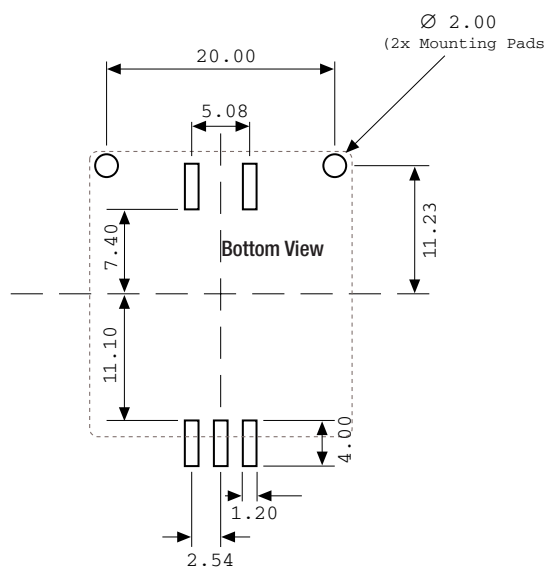
Pin #	Connection
1	+Vin
2	GND
3	+Vout



Tolerance ± 0.5 mm unless otherwise specified

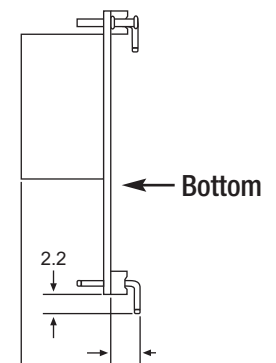
R-78Txx-1.0/AL

Recommended Footprint



Pin Connections

Pin #	Connection
1	+Vin
2	GND
3	+Vout

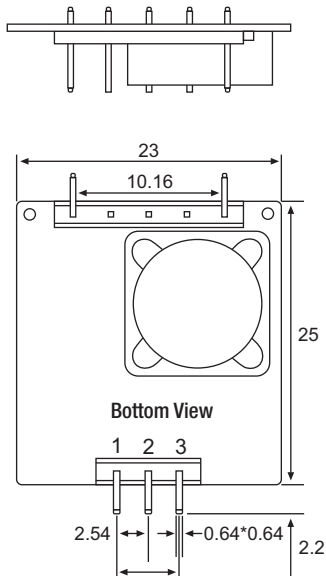
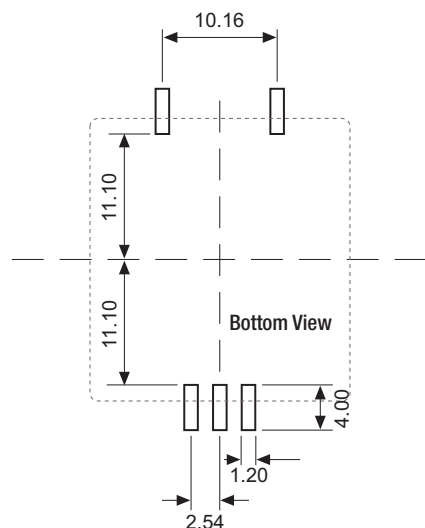


Tolerance ± 0.5 mm unless otherwise specified

Package Style and Pinning (mm)

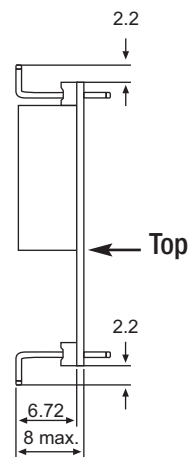
R-78Txx-1.0/FC

Recommended Footprint



Pin Connections

Pin #	Connection
1	+Vin
2	GND
3	+Vout



Tolerance ± 0.5 mm unless otherwise specified